

Graphic Elements



Exhibitor Name:

Stand No.:

Advance Price Deadline: **March 14, 2023**

RETURN TO:
Koelnmesse Inc.
8770 W. Bryn Mawr, Suite 1300
Chicago, IL 60631

Phone: 1 (773) 326-9920
www.koelnmesse.us
services@koelnmesse.us

Submitted by: Mar 14	Submitted AFTER: Mar 14		
--------------------------------	-----------------------------------	--	--

No.	Item	Description	Advance Price	Standard Price	Quantity	TOTAL
GR-01	LED Lightbox	H:52 x W:157cm	\$ 277.00	\$ 346.00		
GR-03	Logo on LED Lightbox	H:520 x W:1570mm	\$ 345.00	\$ 430.00		
GR-04	Text on LED Lightbox	vinyl, single color, max. 20 characters	\$ 75.00	\$ 95.00		
GR-05	Labour for installation	for customer's-own logo	\$ 65.00	\$ 75.00		
GR-06	Graphic on Counter Front	print- H:914 x 964mm	\$ 275.00	\$ 345.00		
GR-07	Graphic on Counter Side	print- H:914 x 469mm	\$ 145.00	\$ 180.00		
GR-08	Graphic on Showcase front	print- H:614 x 964mm	\$ 185.00	\$ 230.00		
GR-09	Graphic on Showcase side	print- H:614 x 469mm	\$ 105.00	\$ 130.00		
GR-10	Graphic- Octanorm Wall "B"	print on full panel- H:2394 x 964mm	\$ 615.00	\$ 768.00		
GR-11	Graphic- Octanorm Wall "D"	print on half panel- H:2394 x 469mm	\$ 328.00	\$ 410.00		
GR-12	Graphic- Octanorm Wall "C"	print on 70cm panel- H:2394 x 674mm	\$ 430.00	\$ 538.00		
GR-13	Graphic- Octanorm Wall "B1"	print electrical panel- H: 1444 x 964mm	\$ 369.00	\$ 461.00		
GR-14	Graphic/seamless panels	print, various widths per running m @2350cm high	\$ 779.00	\$ 973.00		
GR-15	Vertical Lightbox: straight	backlit graphic panel- H:2394 x 964mm	\$ 1,395.00	\$ 1,740.00		
GR-16	Vertical Lightbox: curved	backlit graphic panel- H:2394 x 1075mm	\$ 1,395.00	\$ 1,740.00		
GR-17	Graphic Banner: fabric	print, various widths per running m @2350cm high	\$ 595.00	\$ 745.00		
GR-18	Graphic Banner: fabric	print single banner- H:2350 x 950mm	\$ 615.00	\$ 768.00		
GR-19	Mounting profiles (for fabric banner)	Aluminum, per meter- H: 35mm	\$ 25.00	\$ 31.00		

Artwork Deadline: **March 24, 2023**

TOTAL

as of 12/1/2020

*Additional fee for late orders, and late submission of art work

*Please ask for exact measurements of your final booth walls before producing graphics.

Name of authorized person to sign:

Signature:

Date:



2023 Booth Graphics



Deadline for Orders: March 14, 2023

Deadline for ALL Artwork: March 24, 2023

**additional fee will be incurred for late orders*

GR-10 - 12

Full panel graphics (inside the frame):

(see page 8 for dimensions)

Panel "B" \$615 (per panel)

Panel "D" \$328 (per panel)



GR-14

Full panel graphics (over the frame):

- mounted on chip board

\$779 per running meter
(2.5m height)

Please be sure to ask for the exact measurements of your complete walls before producing graphics.

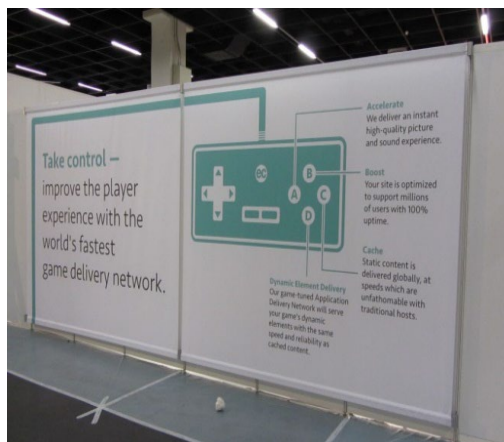


GR-17

Full graphic on fabric (over the frame):

\$615 per running meter
(2.5m height)

Please be sure to ask for the exact measurements of your complete walls prior to producing graphics.



GR-1

Company Logo on LED Light Box (Pavilion)

(see page 5 for dimensions)

Pavilion Booths \$345 (per light box)



GR-6 - 7

Graphics on Information Counter

(see page 6 for dimensions)

Front \$275

Side \$145 (per side)



GR-8 - 9

Graphics on Table Show Case

(see page 7 for dimensions)

Front \$185

Side \$105 (per side)



GR-13

Electrical Box Panel Graphic (inside the frame)

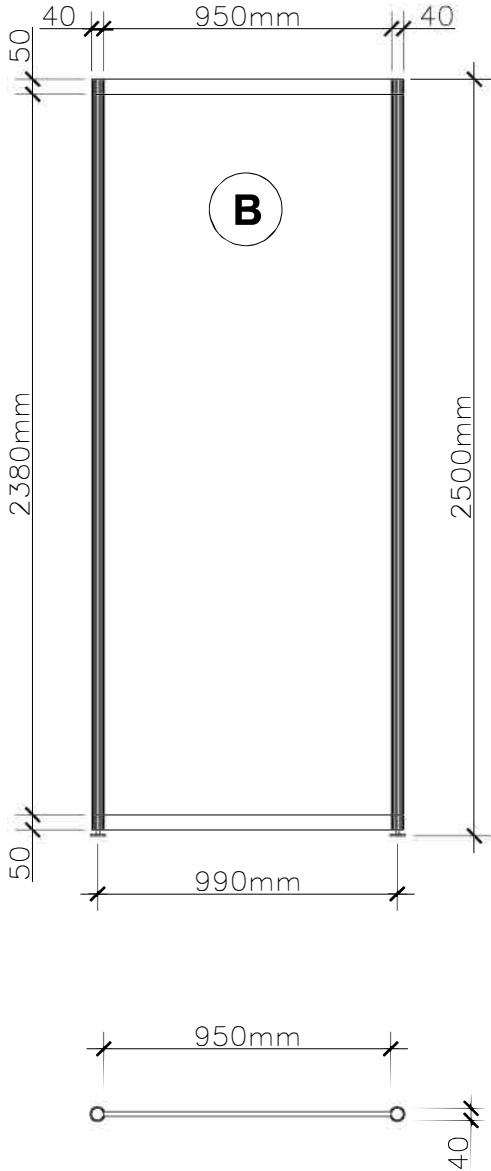
(see page 8 for dimensions)

Panel "B1" \$369 (per panel)



Artwork Submission

- **File format:** vectorized .eps / .ai or printable pdf scal 1:1 (preferred) - **NO jpg files**
- All text should be converted to outlines
- **Resolution** for printing: 150 - 300 dpi / **Color format:** CMYK
- **Upload server:** <http://filetransfer.fortex.org> Login: ftpkoelnmesseusa / Password: kmchicago
- Please provide a low-res layout, floor plan or sketch which shows graphic positions

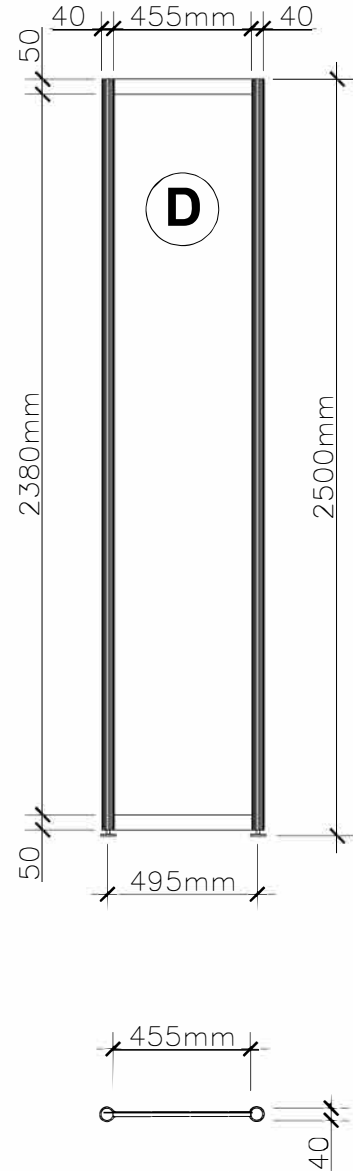


Wall Element B

B₁ Wall Panel incl. Octanorm Profiles:
w: 990mm x h: 2500mm

B₂ Infill Panel Size (inserted in Octanorm Profiles)
w: 964mm x h: 2394mm

B₃ Visible Panel Size:
w: 950mm x h: 2380mm



Wall Element D

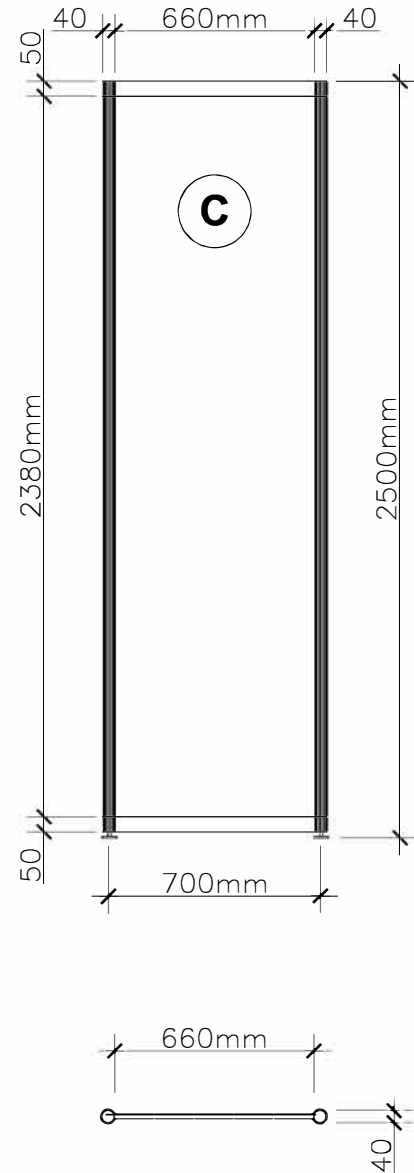
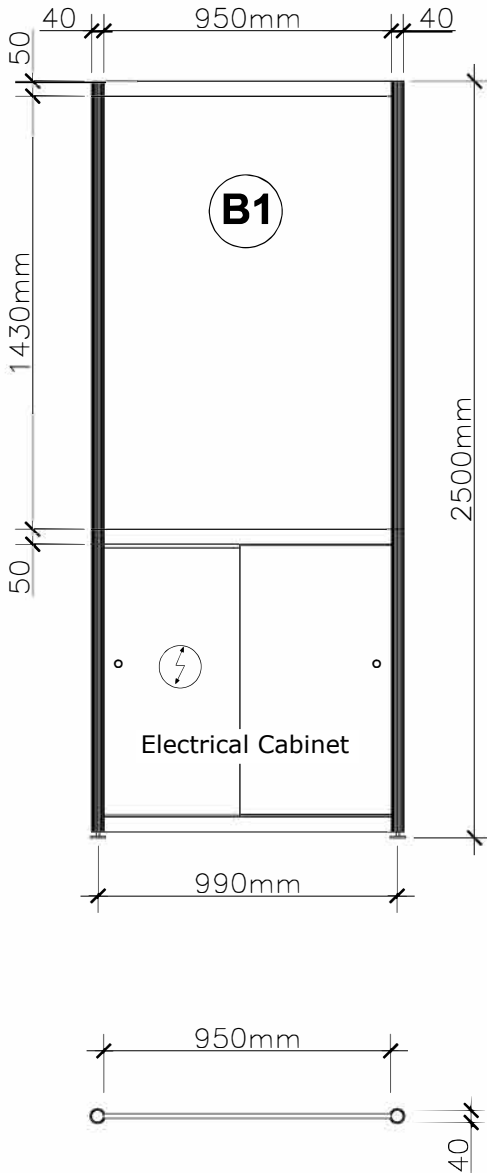
D₁ Wall Panel incl. Octanorm Profiles:
w: 495mm x h: 2500mm

D₂ Infill Panel Size (inserted in Octanorm Profiles)
w: 469mm x h: 2394mm

D₃ Visible Panel Size:
w: 455mm x h: 2380mm

WALL ELEMENTS B1 + C

for companies that have a power drop in their booth space



Wall Element B1

B1₁ Wall Panel incl. Octanorm Profiles:
w: 990mm x h: 2500mm

B1₂ Infill Panel Size (inserted in Octanorm Profiles)
w: 964mm x h: 1444mm

B1₃ Visible Panel Size:
w: 950mm x h: 1430mm

Wall Element C

C₁ Wall Panel incl. Octanorm Profiles:
w: 700mm x h: 2500mm

C₂ Infill Panel Size (inserted in Octanorm Profiles)
w: 674mm x h: 2394mm

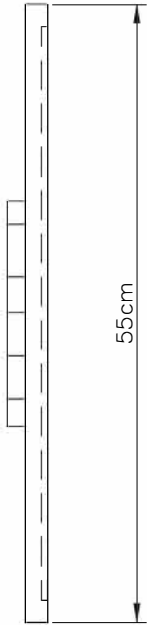
C₃ Visible Panel Size:
w: 660mm x h: 2380mm

LED LIGHT BOX for *Pavilion Booth Construction*

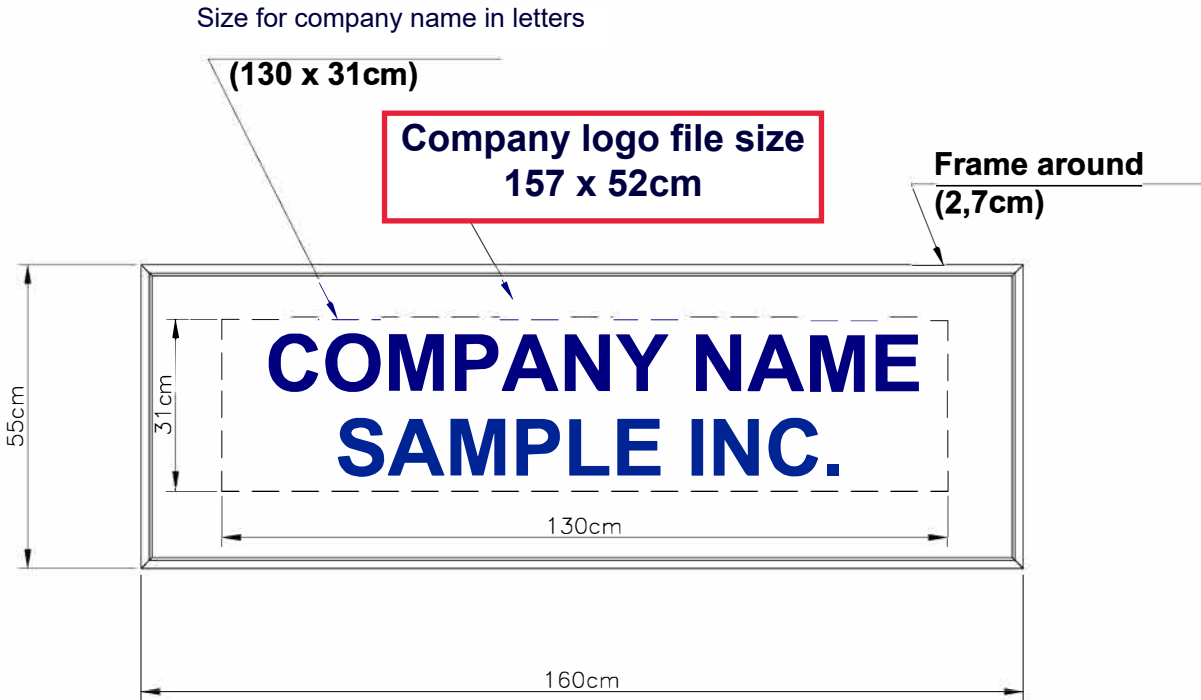
with *Company Name*



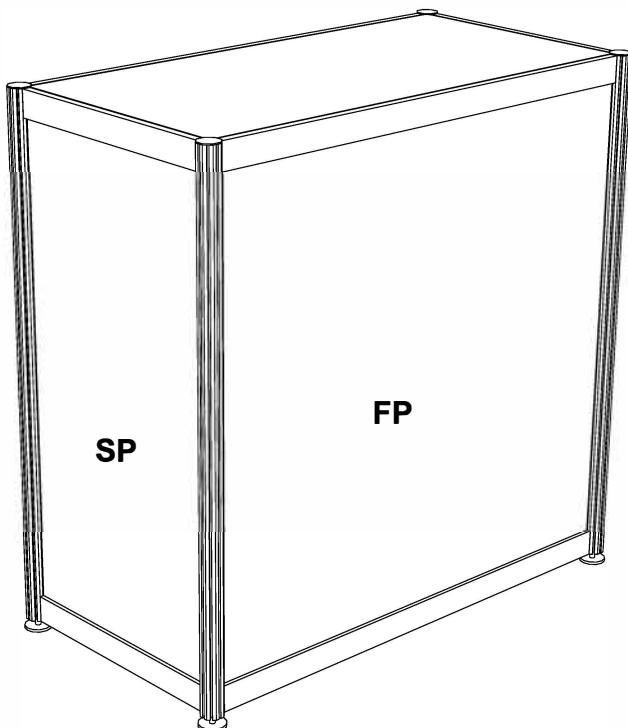
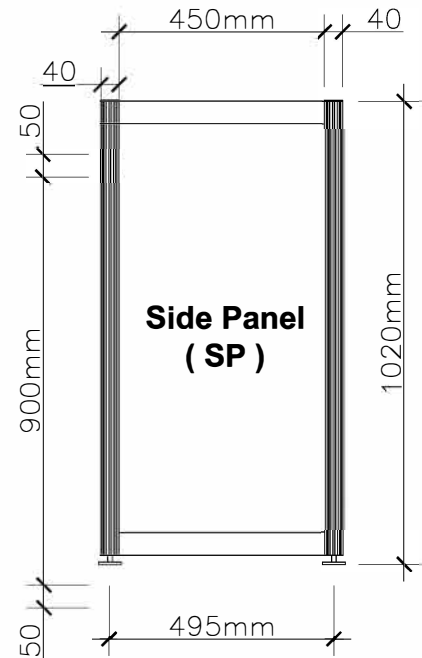
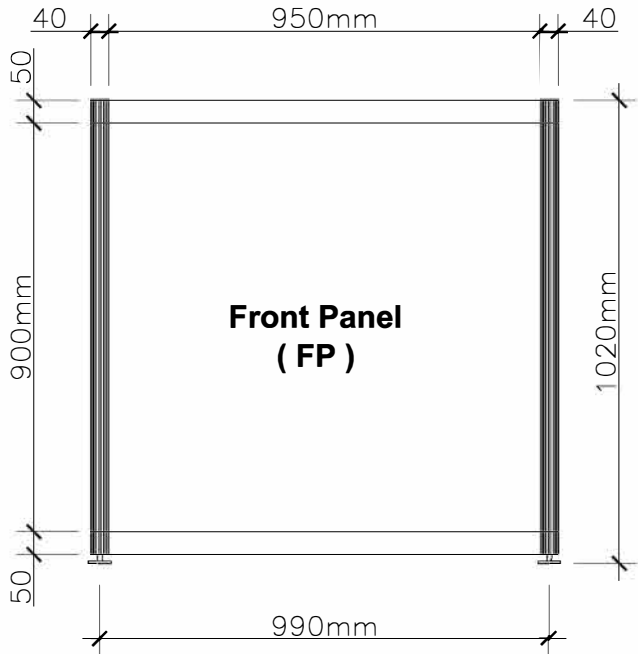
Perspective



Side View



Front View



Front Panel

FP₁ Front Panel incl. Octanorm Profiles:
w: 990mm x h: 1020mm

FP₂ Infill Panel Size (inserted in Octanorm Profiles)
w: 964mm x h: 914mm

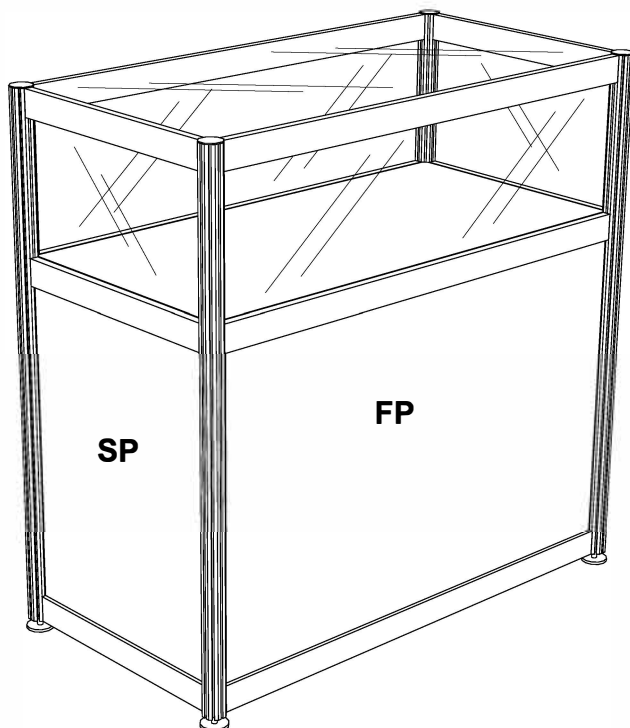
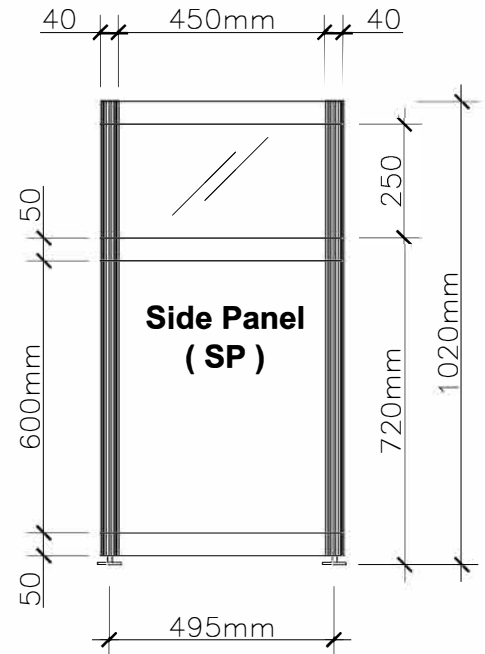
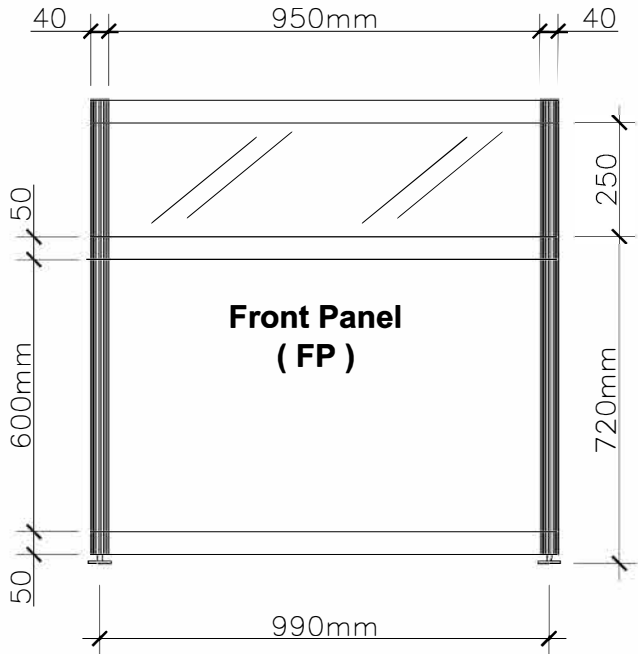
FP₃ Visible Panel Size:
w: 950mm x h: 900mm

Side Panel

SP₁ Front Panel incl. Octanorm Profiles:
w: 495mm x h: 1020mm

SP₂ Infill Panel Size (inserted in Octanorm Profiles)
w: 469mm x h: 914mm

SP₃ Visible Panel Size:
w: 455mm x h: 900mm



Front Panel

FP₁ Front Panel incl. Octanorm Profiles:
w: 990mm x h: 720mm

FP₂ Infill Panel Size (inserted in Octanorm Profiles)
w: 964mm x h: 614mm

FP₃ Visible Panel Size:
w: 950mm x h: 600mm

Side Panel

SP₁ Front Panel incl. Octanorm Profiles:
w: 495mm x h: 720mm

SP₂ Infill Panel Size (inserted in Octanorm Profiles)
w: 469mm x h: 614mm

SP₃ Visible Panel Size:
w: 455mm x h: 600mm