

# Graphic Elements



**Exhibitor Name:**

**Stand No.:**

**Advance Price Deadline: January 17, 2023**

RETURN TO:  
Koelnmesse Inc.  
8770 W. Bryn Mawr, Suite 1300  
Chicago, IL 60631

Phone: 1 (773) 326-9920  
www.koelnmesse.us  
[services@koelnmesse.us](mailto:services@koelnmesse.us)

<b>Submitted by:</b> Jan 17	<b>Submitted AFTER:</b> Jan 17		
--------------------------------	-----------------------------------	--	--

<b>Advance Price</b>	<b>Standard Price</b>	<b>Quantity</b>	<b>TOTAL</b>
----------------------	-----------------------	-----------------	--------------

No.	Item	Description	Advance Price	Standard Price	Quantity	TOTAL
GR-01	LED Lightbox	H:52 x W:157cm	\$ 277.00	\$ 346.00		
GR-03	Logo on LED Lightbox	H:520 x W:1570mm	\$ 345.00	\$ 430.00		
GR-04	Text on LED Lightbox	vinyl, single color, max. 20 characters	\$ 75.00	\$ 95.00		
GR-05	Labour for installation	for customer's-own logo	\$ 65.00	\$ 75.00		
GR-06	Graphic on Counter Front	print- H:914 x 964mm	\$ 275.00	\$ 345.00		
GR-07	Graphic on Counter Side	print- H:914 x 469mm	\$ 145.00	\$ 180.00		
GR-08	Graphic on Showcase front	print- H:614 x 964mm	\$ 185.00	\$ 230.00		
GR-09	Graphic on Showcase side	print- H:614 x 469mm	\$ 105.00	\$ 130.00		
GR-10	Graphic- Octanorm Wall "B"	print on full panel- H:2394 x 964mm	\$ 615.00	\$ 768.00		
GR-11	Graphic- Octanorm Wall "D"	print on half panel- H:2394 x 469mm	\$ 328.00	\$ 410.00		
GR-12	Graphic- Octanorm Wall "C"	print on 70cm panel- H:2394 x 674mm	\$ 430.00	\$ 538.00		
GR-13	Graphic- Octanorm Wall "B1"	print electrical panel- H: 1444 x 964mm	\$ 369.00	\$ 461.00		
GR-14	Graphic/seamless panels	print, various widths per running m @2350cm high	\$ 779.00	\$ 973.00		
GR-15	Vertical Lightbox: straight	backlit graphic panel- H:2394 x 964mm	\$ 1,395.00	\$ 1,740.00		
GR-16	Vertical Lightbox: curved	backlit graphic panel- H:2394 x 1075mm	\$ 1,395.00	\$ 1,740.00		
GR-17	Graphic Banner: fabric	print, various widths per running m @2350cm high	\$ 595.00	\$ 745.00		
GR-18	Graphic Banner: fabric	print single banner- H:2350 x 950mm	\$ 615.00	\$ 768.00		
GR-19	Mounting profiles (for fabric banner)	Aluminum, per meter- H: 35mm	\$ 25.00	\$ 31.00		

**Artwork Deadline: January 31, 2023**

**TOTAL**

as of 12/1/2020

\*Additional fee for late orders, and late submission of art work

\*Please ask for exact measurements of your final booth walls before producing graphics.

Name of authorized person to sign:

Signature:

Date:



## 2021 Booth Graphics



Deadline for Orders: **January 17, 2023**

Deadline for ALL artwork: **January 31, 2023**

*\*additional fee will be incurred for late orders*

### GR-10 - 12

Full panel graphics (inside the frame):

*(see page 8 for dimensions)*

Panel "B" \$615 (per panel)

Panel "D" \$328 (per panel)



### GR-14

Full panel graphics (over the frame):

- mounted on chip board

**\$779 per running meter**  
*(2.5m height)*

Please be sure to ask for the exact measurements of your complete walls before producing graphics.

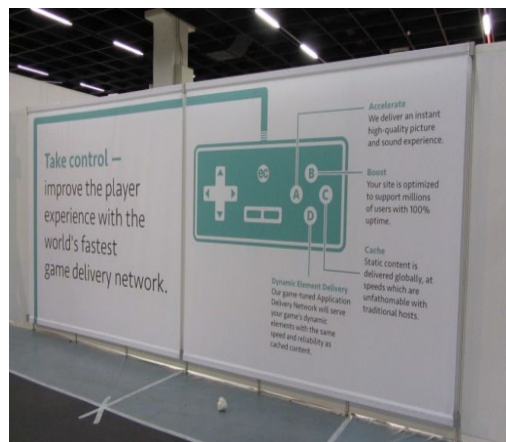


### GR-17

Full graphic on fabric (over the frame):

**\$615 per running meter**  
*(2.5m height)*

Please be sure to ask for the exact measurements of your complete walls prior to producing graphics.



---

GR-1

Company Logo on LED Light Box (Pavilion)

*(see page 5 for dimensions)*

Pavilion Booths \$345 (per light box)



---

GR-6 - 7

Graphics on Information Counter

*(see page 6 for dimensions)*

Front \$275

Side \$145 (per side)



---

GR-8 - 9

Graphics on Table Show Case

*(see page 7 for dimensions)*

Front \$185

Side \$105 (per side)



---

GR-13

Electrical Box Panel Graphic (inside the frame)

*(see page 8 for dimensions)*

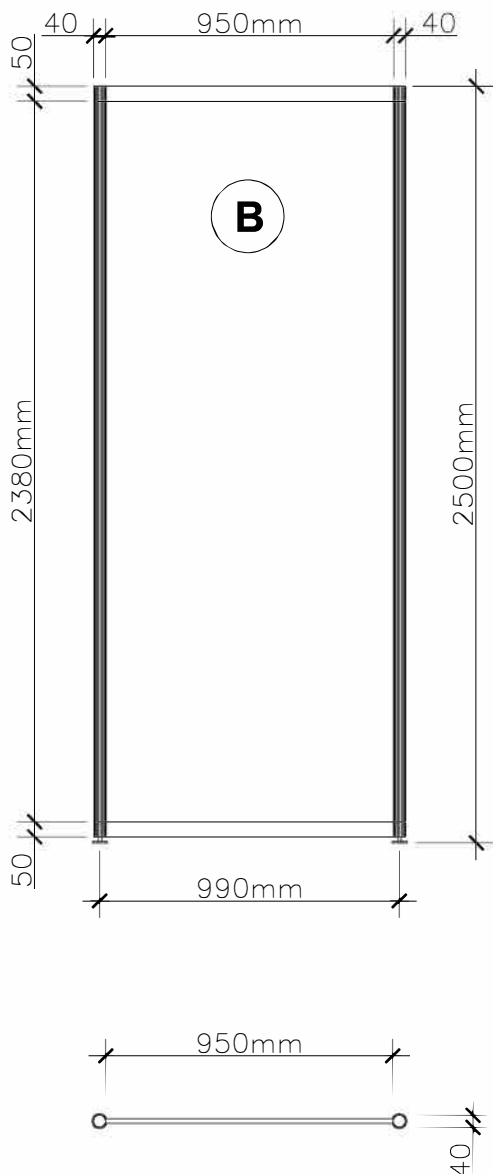
Panel "B1" \$369 (per panel)



---

### Artwork Submission

- **File format:** vectorized .eps / .ai or printable pdf scal 1:1 (preferred) - **NO jpg files**
- All text should be converted to outlines
- **Resolution** for printing: 150 - 300 dpi / **Color format:** CMYK
- **Upload server:** <http://filetransfer.fortex.org> Login: ftpkoelnmesseusa / Password: kmchicago
- Please provide a low-res layout, floor plan or sketch which shows graphic positions

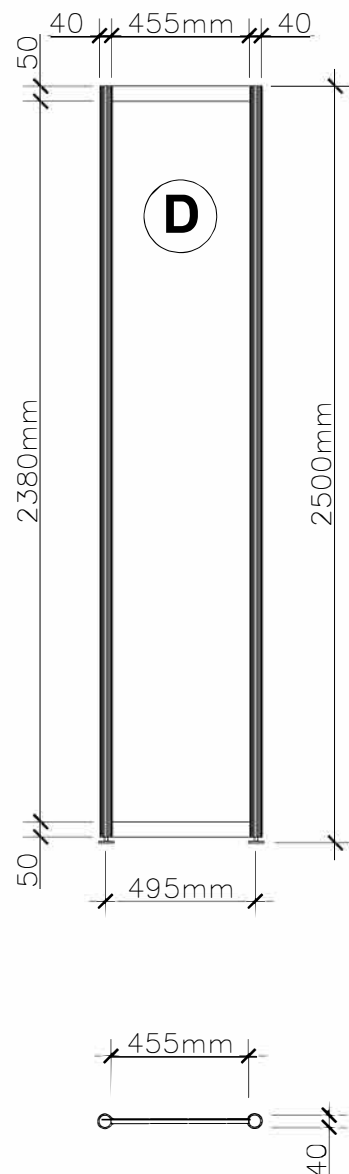


## Wall Element B

**B<sub>1</sub> Wall Panel incl. Octanorm Profiles:**  
*w: 990mm x h: 2500mm*

**B<sub>2</sub> Infill Panel Size (inserted in Octanorm Profiles)**  
*w: 964mm x h: 2394mm*

**B<sub>3</sub> Visible Panel Size:**  
*w: 950mm x h: 2380mm*



## Wall Element D

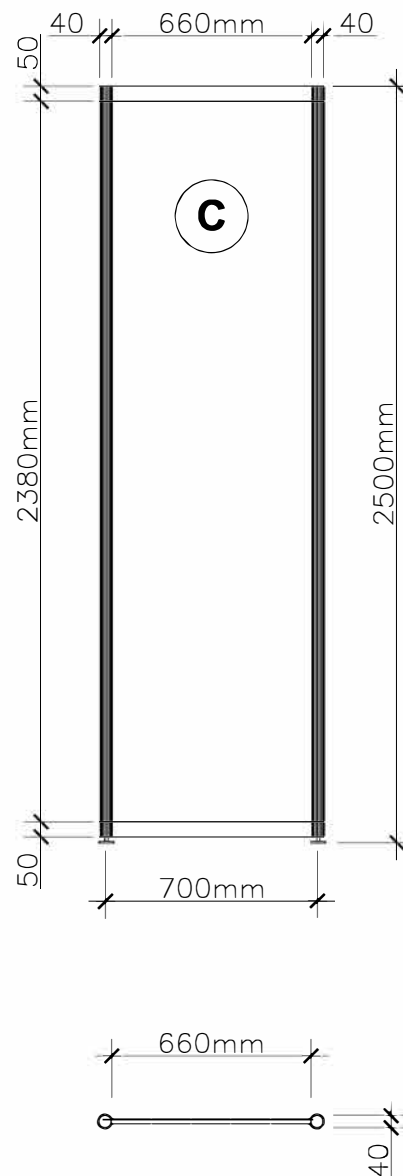
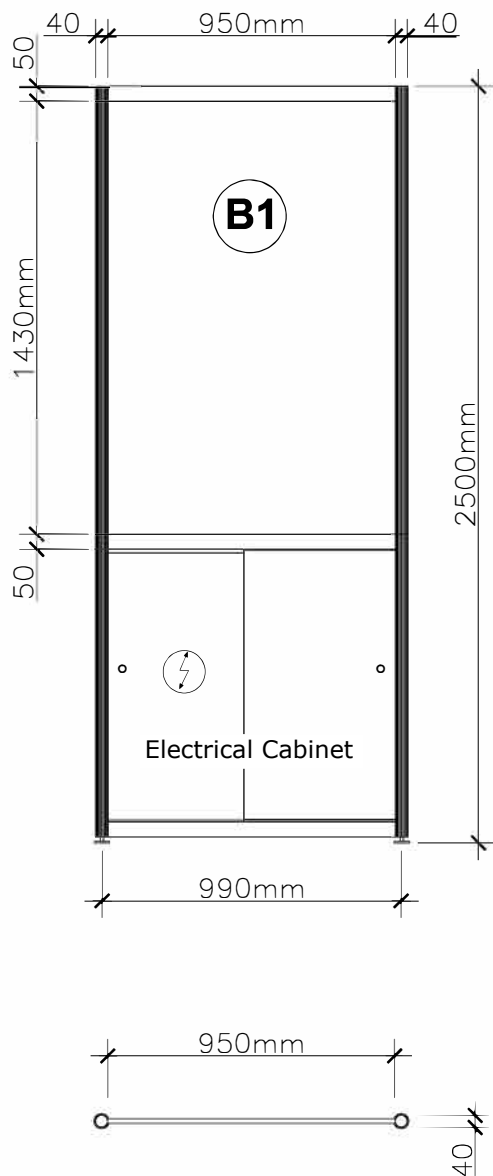
**D<sub>1</sub> Wall Panel incl. Octanorm Profiles:**  
*w: 495mm x h: 2500mm*

**D<sub>2</sub> Infill Panel Size (inserted in Octanorm Profiles)**  
*w: 469mm x h: 2394mm*

**D<sub>3</sub> Visible Panel Size:**  
*w: 455mm x h: 2380mm*

# WALL ELEMENTS B1 + C

for companies that have a power drop in their booth space



## Wall Element B1

**B1<sub>1</sub> Wall Panel incl. Octanorm Profiles:**  
w: 990mm x h: 2500mm

**B1<sub>2</sub> Infill Panel Size (inserted in Octanorm Profiles)**  
w: 964mm x h: 1444mm

**B1<sub>3</sub> Visible Panel Size:**  
w: 950mm x h: 1430mm

## Wall Element C

**C<sub>1</sub> Wall Panel incl. Octanorm Profiles:**  
w: 700mm x h: 2500mm

**C<sub>2</sub> Infill Panel Size (inserted in Octanorm Profiles)**  
w: 674mm x h: 2394mm

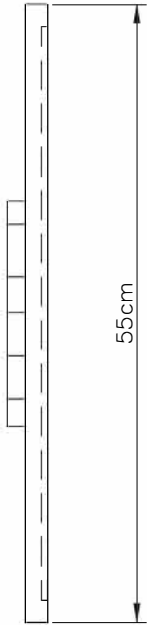
**C<sub>3</sub> Visible Panel Size:**  
w: 660mm x h: 2380mm

# LED LIGHT BOX for *Pavilion Booth Construction*

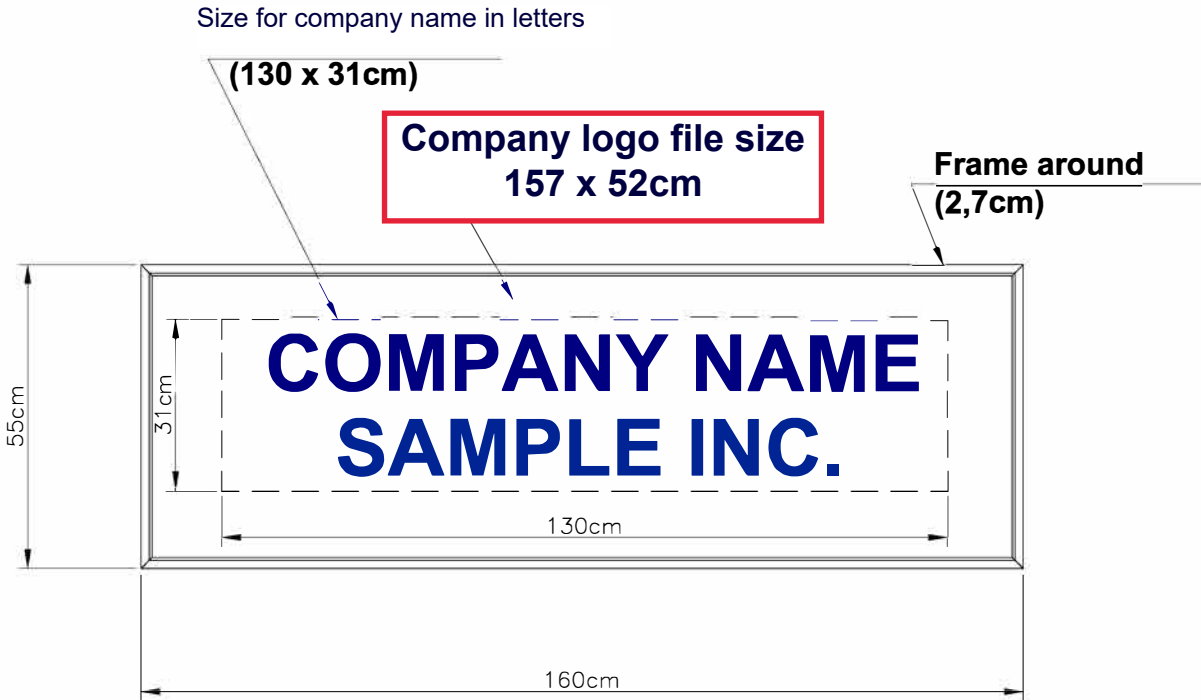
with *Company Name*



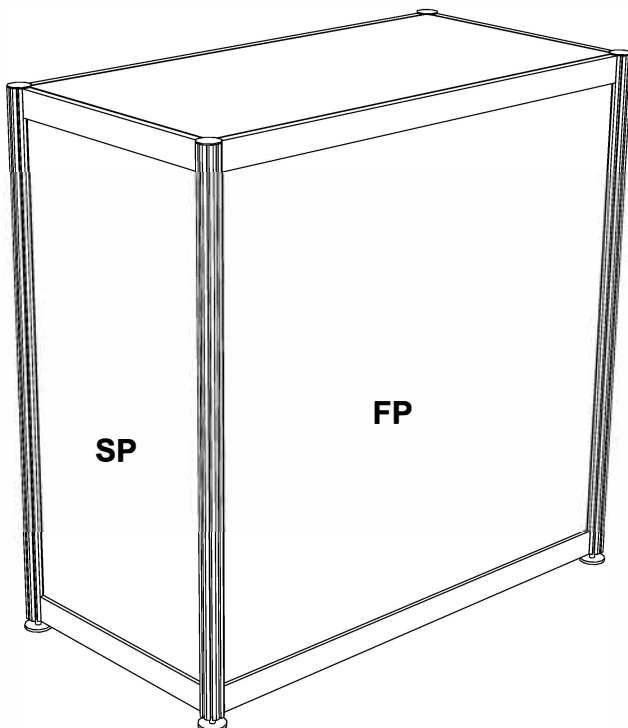
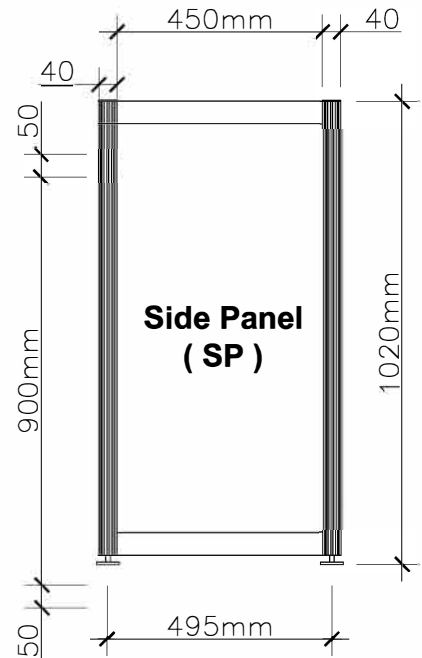
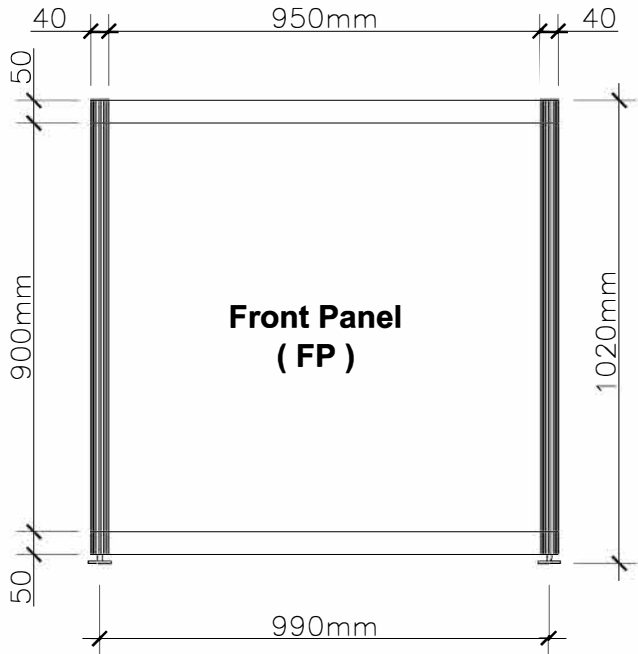
Perspective



Side View



Front View



## Front Panel

**FP<sub>1</sub> Front Panel incl. Octanorm Profiles:**  
*w: 990mm x h: 1020mm*

**FP<sub>2</sub> Infill Panel Size (inserted in Octanorm Profiles)**  
*w: 964mm x h: 914mm*

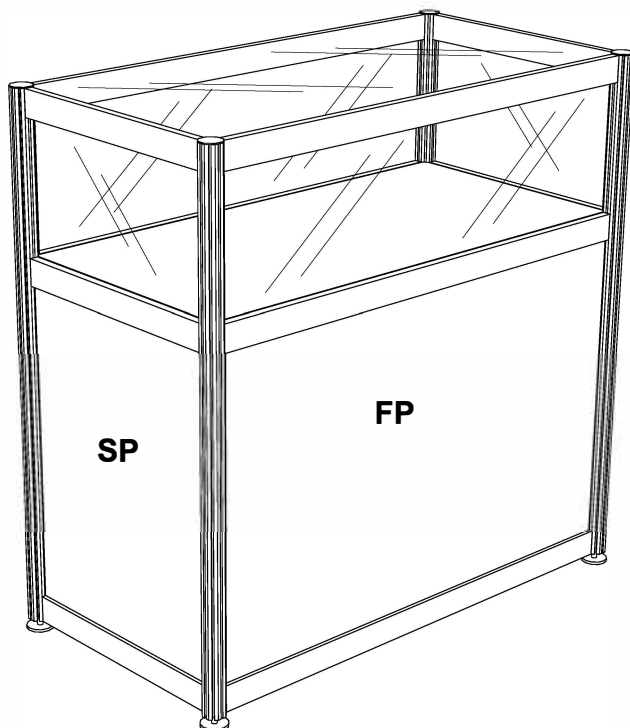
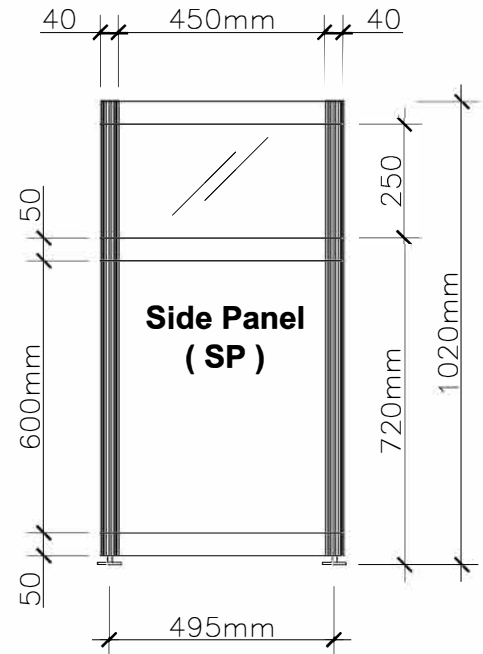
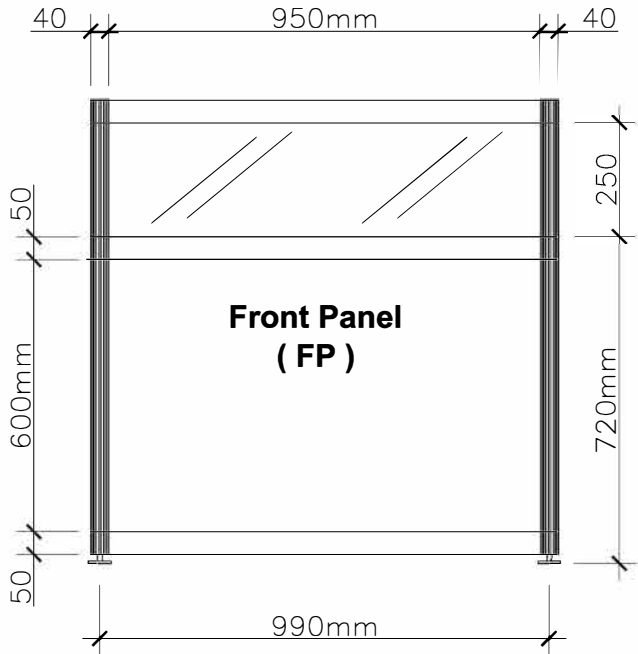
**FP<sub>3</sub> Visible Panel Size:**  
*w: 950mm x h: 900mm*

## Side Panel

**SP<sub>1</sub> Front Panel incl. Octanorm Profiles:**  
*w: 495mm x h: 1020mm*

**SP<sub>2</sub> Infill Panel Size (inserted in Octanorm Profiles)**  
*w: 469mm x h: 914mm*

**SP<sub>3</sub> Visible Panel Size:**  
*w: 455mm x h: 900mm*



## Front Panel

**FP<sub>1</sub> Front Panel incl. Octanorm Profiles:**  
*w: 990mm x h: 720mm*

**FP<sub>2</sub> Infill Panel Size (inserted in Octanorm Profiles)**  
*w: 964mm x h: 614mm*

**FP<sub>3</sub> Visible Panel Size:**  
*w: 950mm x h: 600mm*

## Side Panel

**SP<sub>1</sub> Front Panel incl. Octanorm Profiles:**  
*w: 495mm x h: 720mm*

**SP<sub>2</sub> Infill Panel Size (inserted in Octanorm Profiles)**  
*w: 469mm x h: 614mm*

**SP<sub>3</sub> Visible Panel Size:**  
*w: 455mm x h: 600mm*