



Koelnmesse Inc.  
8770 W. Bryn Mawr Ave. Suite 1300  
Chicago, IL 60631  
www.koelnmesse.us  
services@koelnmesse.us



## Graphics for Walls, Furniture & Fascia

Exhibiting Company

Contact for Order

Booth/Stand #

Date of Order

**ARTWORK DEADLINE  
AUG 26, 2023**

<b>! Late orders and/or late artwork will incur additional charges!</b>				<b>Discount!</b>	<b>Regular</b>	<b>QTY</b>	<b>TOTAL</b>
<b>! Before starting on graphics, request exact measurements from exhibitor services!</b>							
Item#	Item Name	Item Description	starts	1-May-2023	13-Aug-2023	enter order	line total will calculate when
<b>Graphic Type</b>			<b>ends</b>	<b>12-Aug-2023</b>	<b>26-Aug-2023</b>	<b>quantity</b>	<b>QTY is entered</b>

**!** Items GR-01 thru GR-02 : the lightbox(es) and custom walls are included in all booth types and walk-up stations, you only order graphics. Items GR-03 thru GR-05 : furniture may be included depending on your pavilion package. If item is not included in your package it is considered an additional order and you must submit P09 Additional Furniture Order along with the Graphics Order. For a quick reference: A Walk-Up Station incl 1 Custom GLASS TOP Counter || a 15-18 sqm Booth incl 1 Custom INFO Counter || a 18-30 Booth sqm incl 1 of each: Custom INFO, Custom GLASS TOP Counter, Glass Show Case, Tall.

GR-01	Logo on LED Lightbox (1 lightbox per each open booth side: inline=1, corner=2, end-cap=3)	H:520 x W:1570mm / price per lightbox	<b>INCLUDED IN ANUGA PAVILION BOOTH PACKAGE</b>				
GR-02	Graphic on Custom Wall Panels (no metal rods between panels for seamless look)	price per square meter	\$ 225.00	\$ 280.00		\$	-
GR-03	Graphic on Custom INFO Counter: Front	print- H:1000 x 400mm	\$ 275.00	\$ 345.00		\$	-
GR-04	Graphic on Custom GLASS TOP Counter: Front	print- H:650 x 500mm	\$ 185.00	\$ 230.00		\$	-
GR-05	Graphic on Standard Glass Show Case, Tall: Pedestal (total 4 panels)	print- H:614 x 964mm / price per panel	\$ 105.00	\$ 130.00		\$	-

**!** For items GR-06-GR-14: You must order the furniture/lightbox via P09-Additional Furniture when submitting the Graphics Order!

GR-06	Graphic on Standard INFO Counter: Front ! order info counter separately	print- H:914 x 964mm	\$ 275.00	\$ 345.00		\$	-
GR-07	Graphic on Standard INFO Counter: Side ! order info counter separately	print- H:914 x 469mm	\$ 145.00	\$ 180.00		\$	-
GR-08	Graphic on Standard GLASS TOP Counter: Front ! order showcase separately	print- H:614 x 964mm	\$ 185.00	\$ 230.00		\$	-
GR-09	Graphic on Standard GLASS Top Counter: Side ! order showcase separately	print- H:614 x 469mm	\$ 105.00	\$ 130.00		\$	-
GR-10	Logo on Vertical Lightbox: Straight ! order lightbox separately	backlit graphic panel- H:2394 x 964mm	\$ 1,395.00	\$ 1,740.00		\$	-
GR-11	Logo on Vertical Lightbox: Curved ! order lightbox separately	backlit graphic panel- H:2394 x 1075mm	\$ 1,395.00	\$ 1,740.00		\$	-
GR-12	Graphic Banner: Fabric, Multi-Width	print, various widths- H:2.35m; price per running meter	\$ 595.00	\$ 745.00		\$	-
GR-13	Graphic Banner: Fabric, Single Banner	print single banner- H:2350 x 950mm	\$ 615.00	\$ 768.00		\$	-
GR-14	Mounting profiles for Fabric Banners	Aluminum- H: 35mm, price per meter	\$ 25.00	\$ 31.00		\$	-
<b>TOTAL</b>						<b>\$</b>	<b>-</b>

Pricing as of 5/21/2023

With signing and submitting this form, you are agreeing to the price list and are effectively placing an order. Upon receipt of this order, we will process it and bill you.

**Need Assistance? Call Exhibitor Services at +1 773 326 9927**

## GRAPHICS FOR WALLS, FURNITURE & FASCIA

---

*Need assistance?  Exhibitor Services at +1 773 326-9927*


---

**DEADLINE ORDER PLACEMENT** **AUG 12, 2023**

**DEADLINE ARTWORK** **Aug 26, 2023**

**!** *Late Orders and/or late Artwork will incur additional charges.*

### ARTWORK GUIDELINES

- **file format:** vectorized .eps / .ai or printable pdf scal 1:1 (best); no jpg
- **all text has to be converted to outlines**
- **resolution** for printing: 150 - 300 dpi will be best
- **color format:** CYMK
- provide in the design work that the text etc. will have around 5 cm **free space** to the edges / lines of our CAD draft (for costum made booths), a **trim rate** of ready file of 2 cm around, **low-res files** for a quick view will be good and a **layout** of / floor plan or sketch which shows the position in the booth.
- **upload to**  <http://filetransfer.fortex.org> *If you have any problems to connect - please check the firewall rules of your office.*

server name          ftpkoelnmesseusa

server password      kmchicago

# GR-01 LOGO ON LED LIGHTBOX

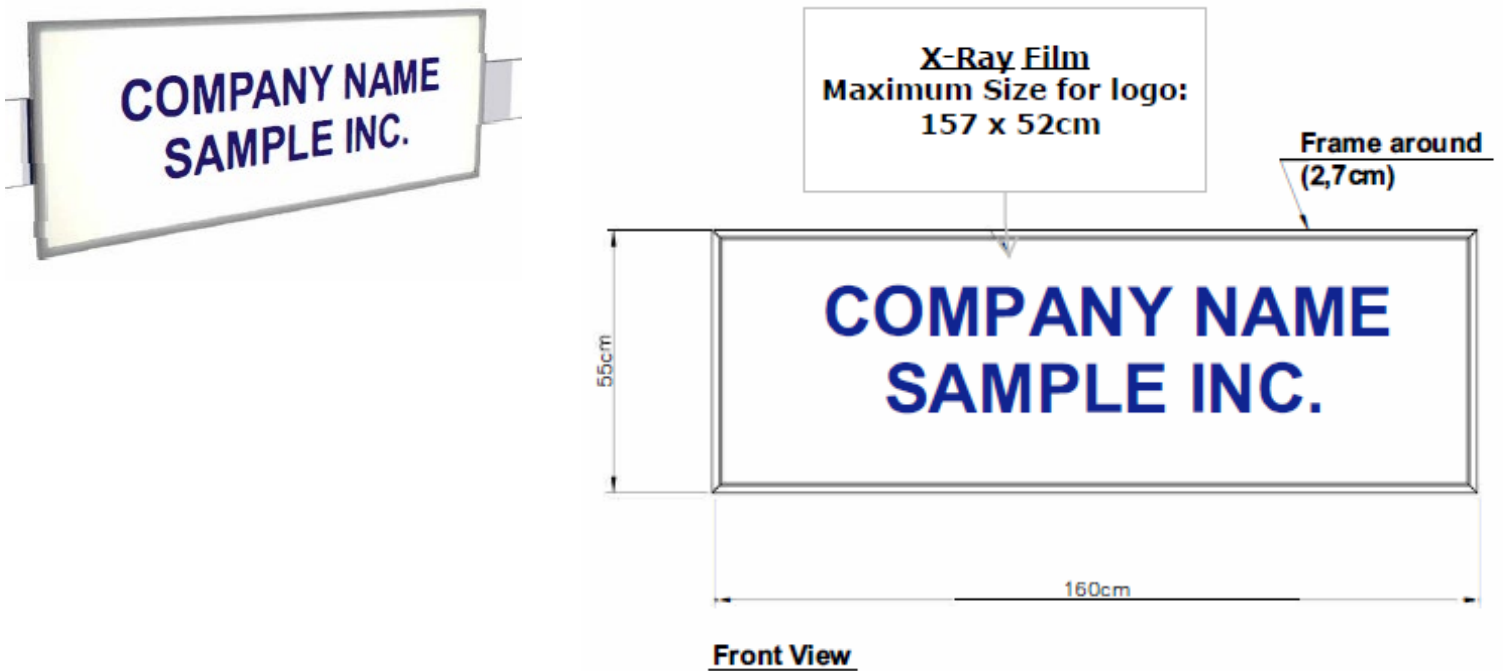


For Anuga 2023, the logo is INCLUDED

Please follow the instructions on-line to upload your logo.

1 Lightbox *for each open side*

inline booth = 1 | corner booth = 2 | endcap booth = 3



## GR-02 GRAPHICS ON WALLS

Dimensions are subject to booth size and other factors. Standard height for full wall graphic is 2.5m. Walls are clad walls (seamless without metal rods in between panels).

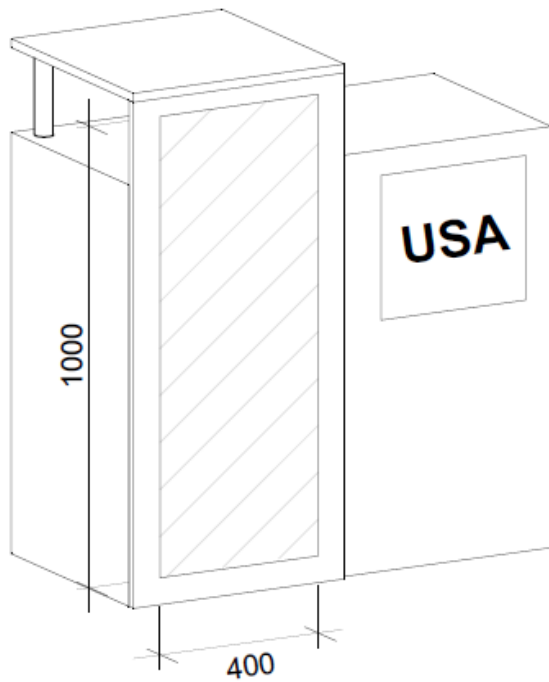
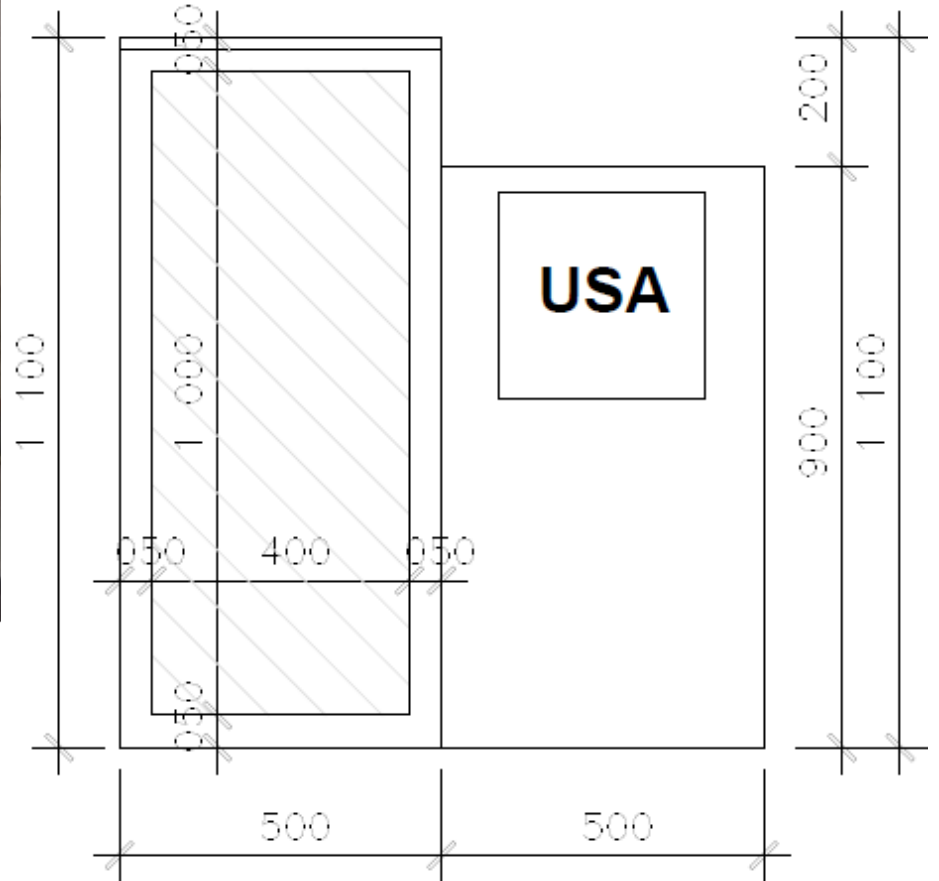
Price per running meter starts at \$225

**!** BEFORE designing artwork from, request measurements for your specific booth [services@koelnmessenafta.com](mailto:services@koelnmessenafta.com)



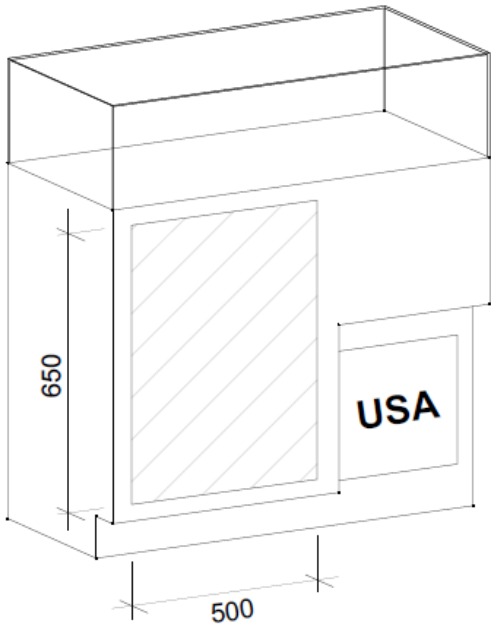
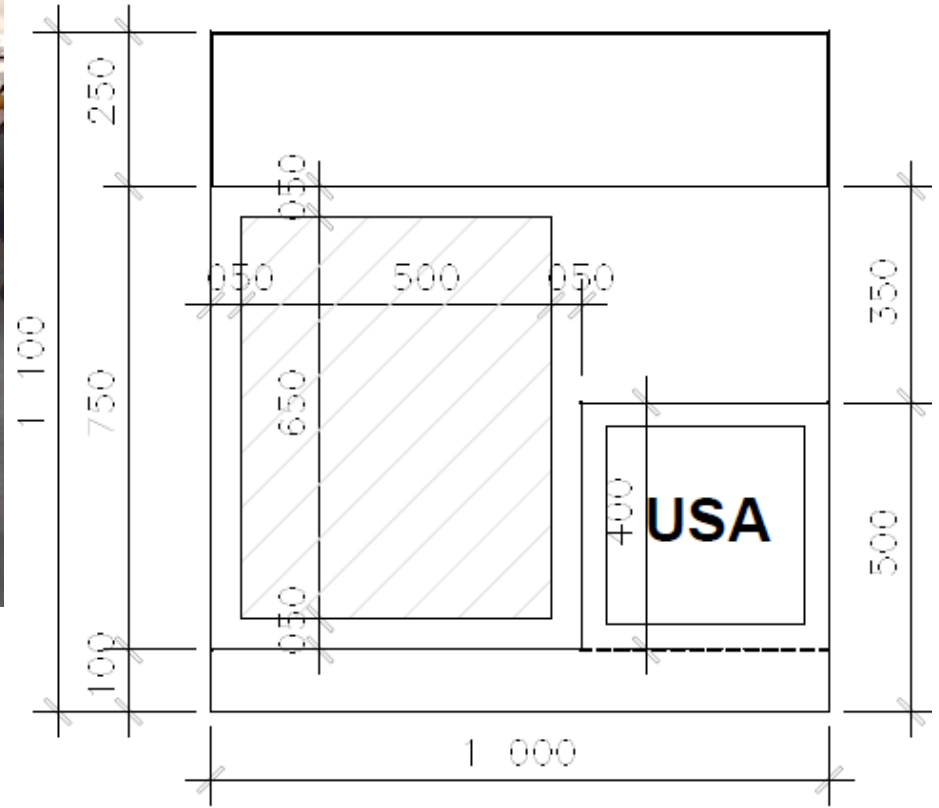
# GR-03 GRAPHIC ON CUSTOM INFO COUNTER

Graphic on FRONT (red panel) starts at \$275



# GR-04 GRAPHIC ON CUSTOM TABLE SHOW CASE

Graphic on FRONT (left side) starts at \$185

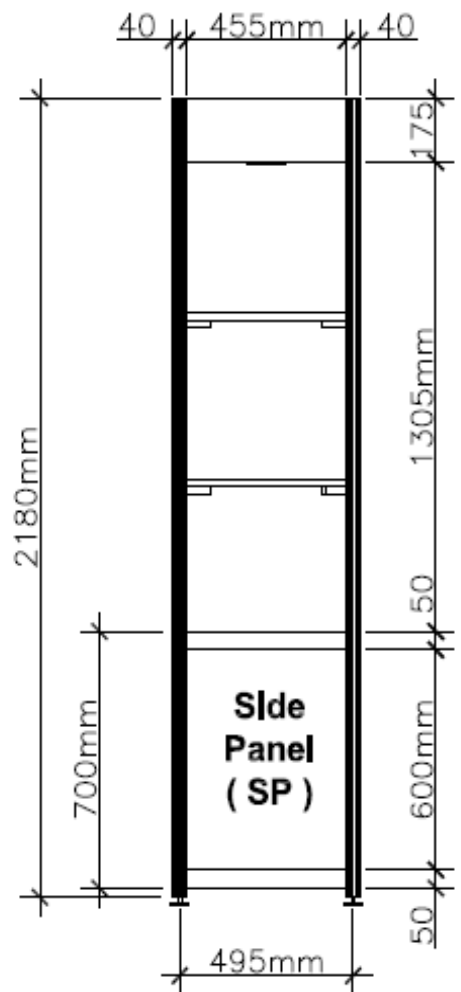
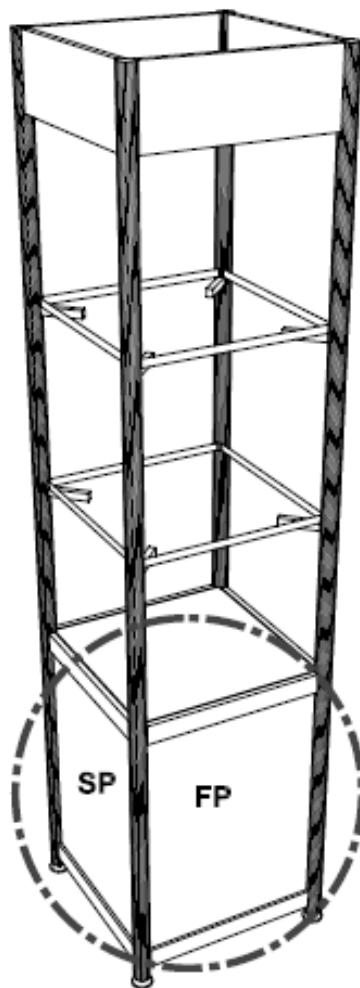


# GR-05 GRAPHIC ON STANDARD SHOW CASE, TALL

Graphic on “Pedestal”; price per panel starts at \$105

Showcase is SQUARE with Front Panel (FP) and Side Panel (SP) having the same measurements. There are a total of 4 panels.

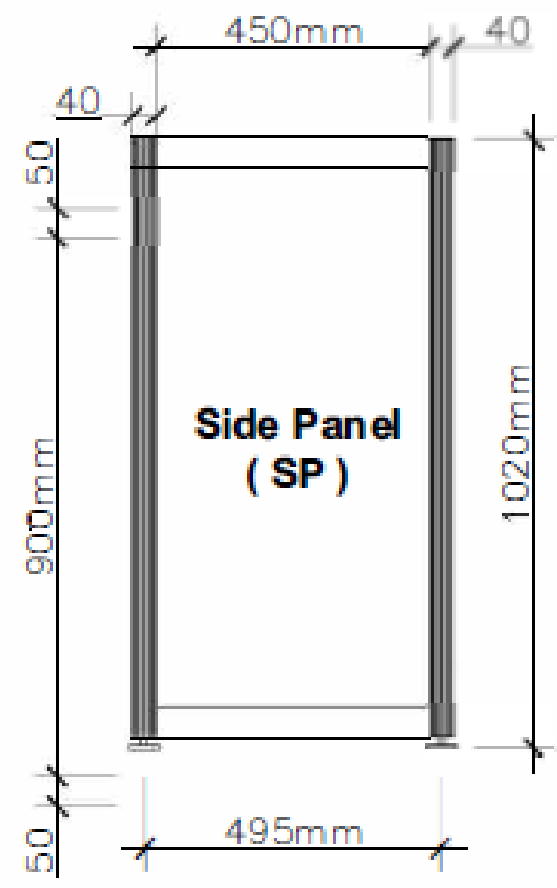
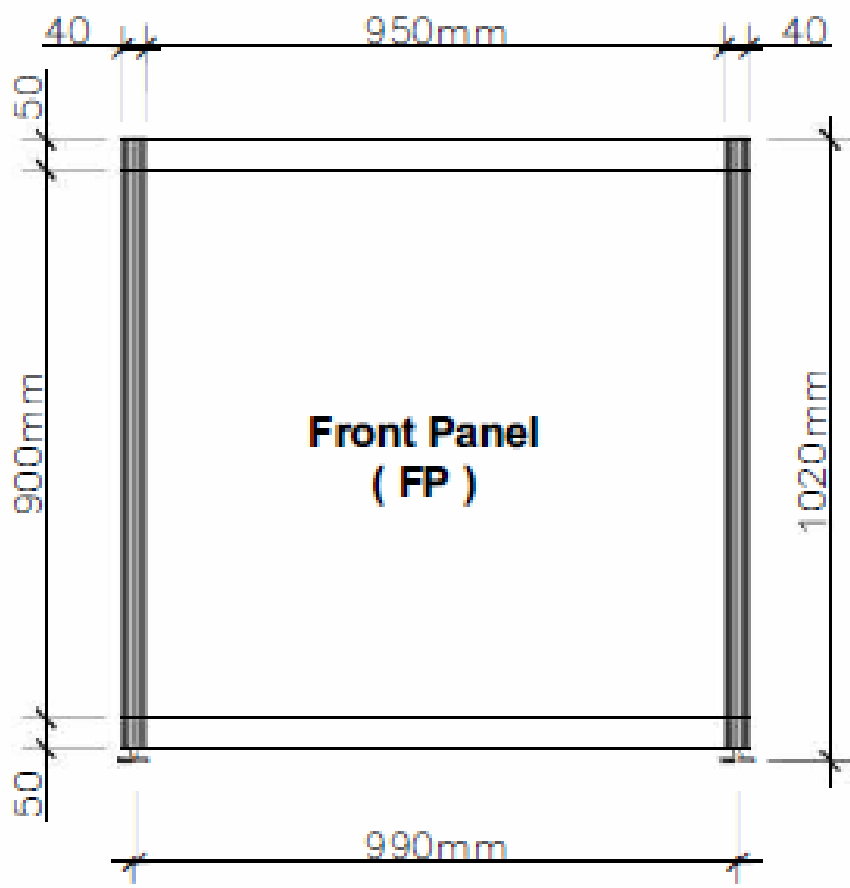
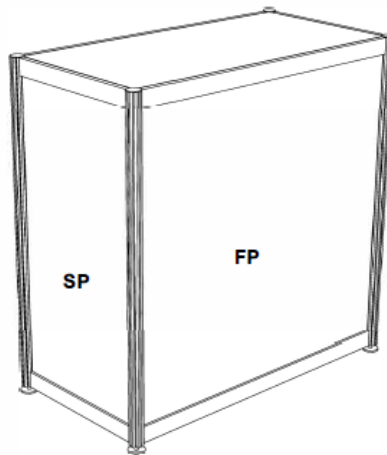
**FP/SP w:495mm x h:700mm | Visible w:455mm x h:700mm**



# GR-06 GRAPHIC ON STANDARD INFO COUNTER



Graphic on FRONT (FP) starts at \$275  
Graphic on SIDE (SP) starts at \$145



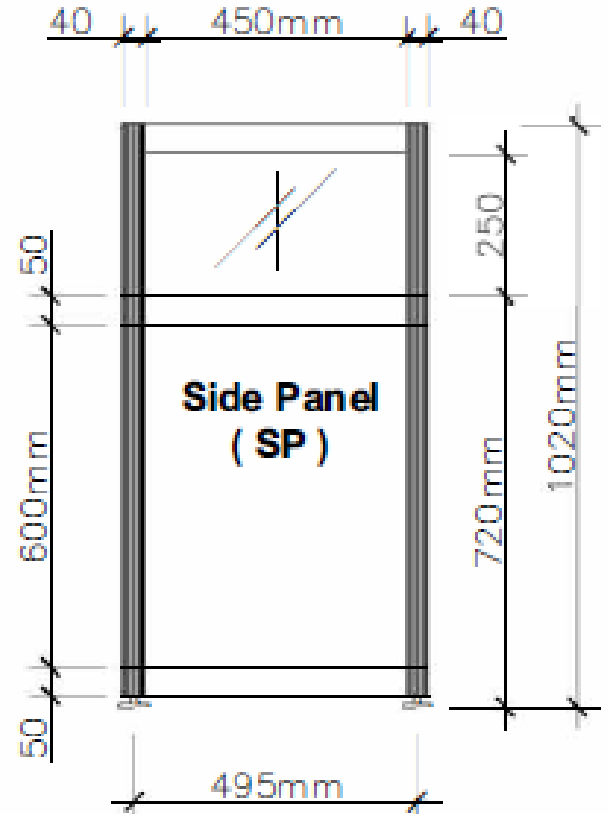
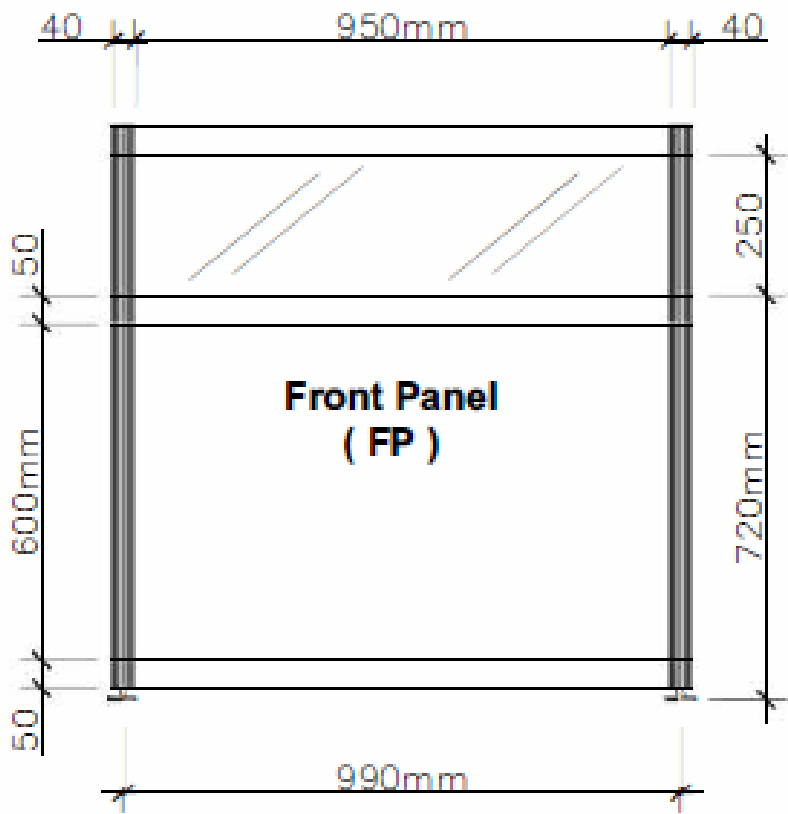
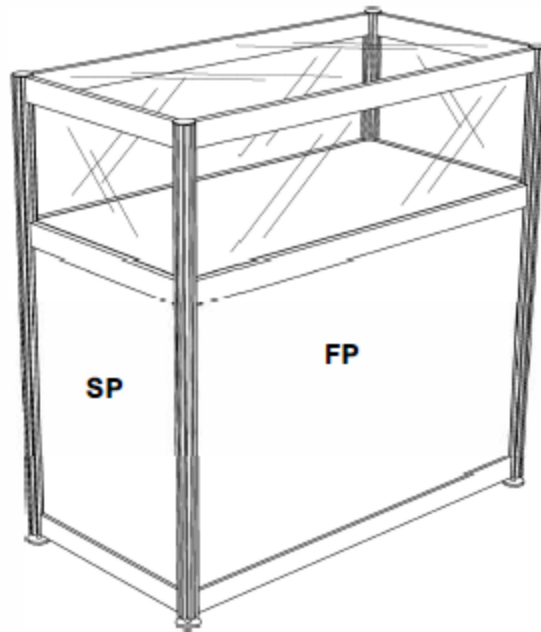


# GR-07 GRAPHIC ON STANDARD GLASS TABLE SHOW CASE



Graphic on FRONT (FP) starts at \$275

Graphic on SIDE (SP) starts at \$145



## GR-08 GRAPHIC ON FABRIC

**Full Panel with Standard H: 2.5m starts at \$595 per running meter**

*Partial wall graphics possible; pricing on request*



*Full Wall with Panel Graphics at standard H: 2.5m  
approx 6.5 running meters*



Partial Wall Graphic only on the upper part of  
the booth wall